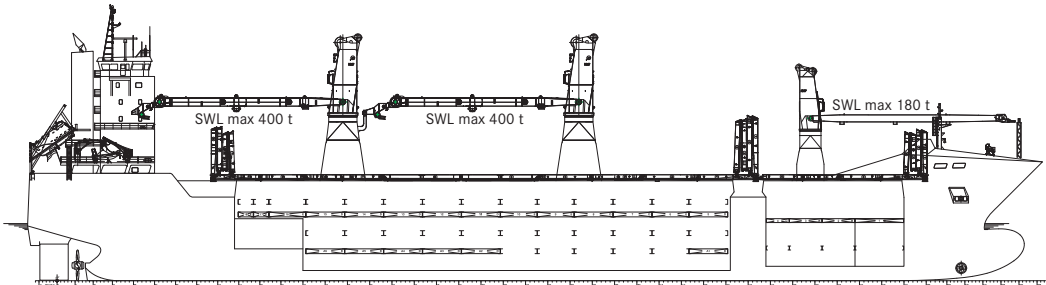
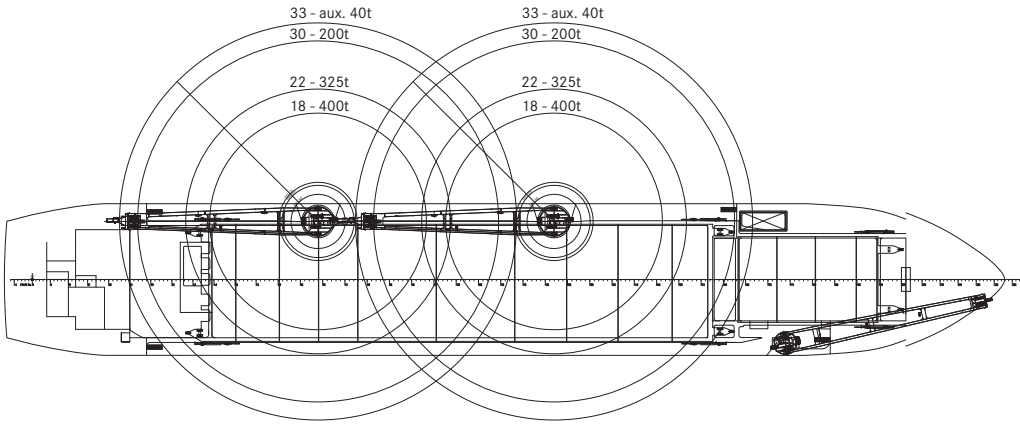


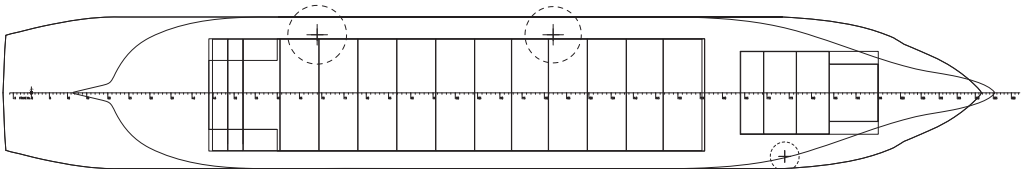
PRINSENGRACHT (PRELIMINARY)



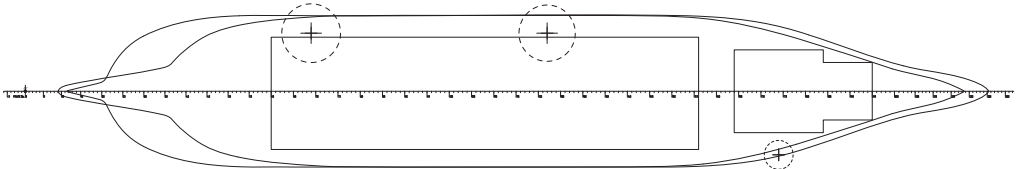
Side View



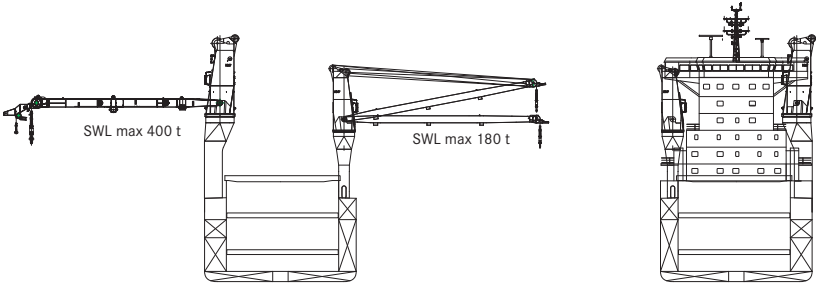
Weatherdeck



Tweendeck



Tanktop



Cross section



PRINSENGRACHT (PRELIMINARY)

Class	DNV GL 100 A5, Ice class E3 Strengthened for heavy cargoes			
Principal Dimensions	Length overall	168.68 m		
	Length p.p.	155.79 m		
	Breadth extreme	25.20 m		
	Summer draft	9.50 m		
Deadweight	Summer (sea water)	20,100 mton		
Tonnage		International	Panama	Suez
	GT	17,634	-	-
	NT	6,617	14,862	15,811
Capacity	Grain=bale	26,337 m ³		
Floor space	Weather deck	2,693 m ²		
	Tween deck	Hold 1	315.65 m ²	
		Hold 2	1,455.58 m ²	
	Lower hold	Hold 1	281.46 m ²	
		Hold 2	1,339.41 m ²	
Hatch openings	Weather deck	Hold 1	22.94 x 13.76 m	
		Hold 2	82.40 x 18.66 m	
	Tween deck	Hold 1	22.94 x 13.76 m	
		Hold 2	82.40 x 18.66 m	
Heights	Tween deck	Hold 1	2 different heights of tweendeck	
		Hold 2	4 different heights of tweendeck	
	Total in hold	Hold 1	14.25 m	
		Hold 2	14.83 m	
Allowable loads	Weatherdeck hatch cover	5.0 t/m ²		
	Tween deck hatch cover	3.5 t/m ²		
	Tank top	18.0 t/m ²		
Cranes	Combinable	800 mt	SWL	
	Situated on port side	2 x 400 mt	SWL	
	Situated on starboard side	1 x 180 mt	SWL	
Main engine	MAN 7L 58 / 64	9.800 kW		
	Bowthruster	800 kW		
	Speed	17.5 kN		
Container capacity	912 TEU			

PRINSENGRACHT

Prinsengracht Amsterdam The Netherlands 2011

These particulars are believed to be correct, but without guarantee, and they must not be used as basis for Charter Parties or contracts without Owners' explicit written authority.



Radarweg 36
1042 AA Amsterdam

P.O. Box 2599
1000 CN Amsterdam

t. +31 (0) 20 - 448 83 00
f. +31 (0) 20 - 448 83 33

info@bigliftshipping.com
www.bigliftshipping.com