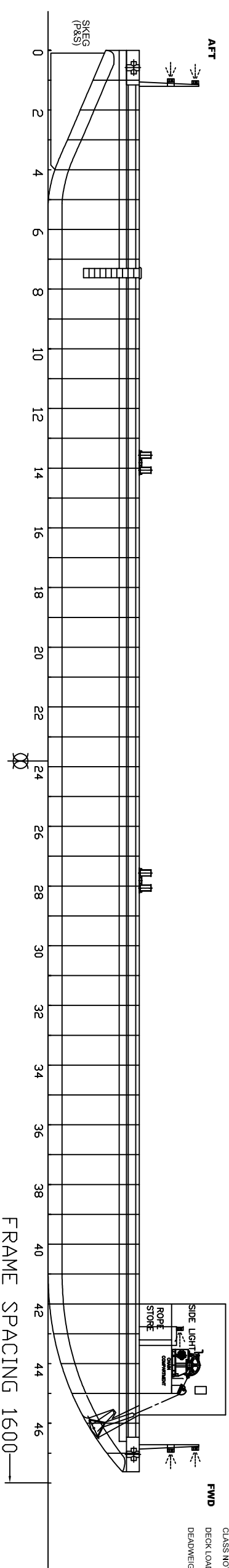


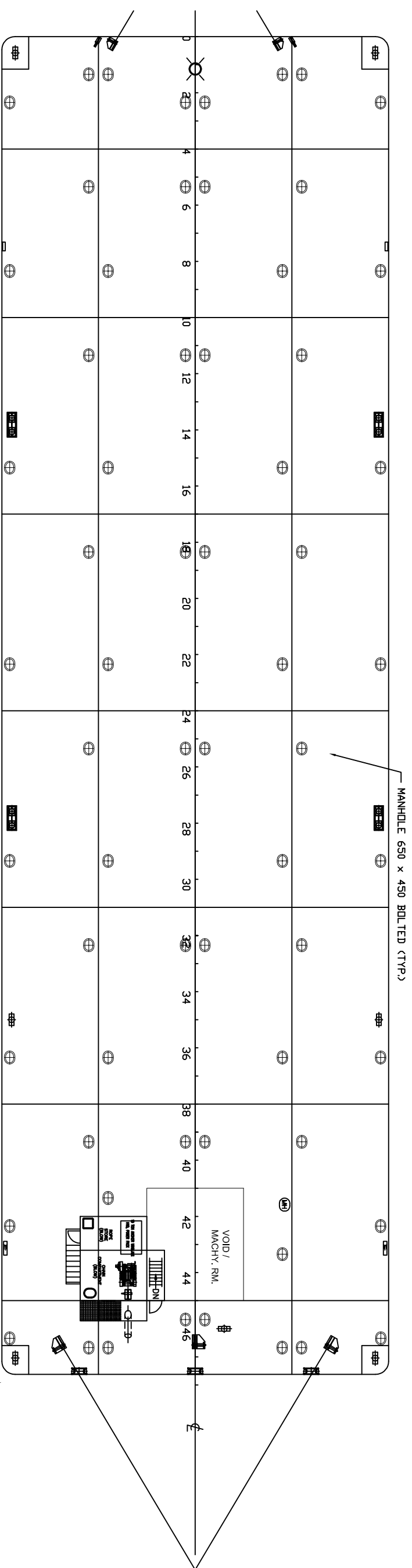
MAIN DIMENSIONS

LENGTH OVERALL	76.20M
MOULDED BREADTH	22.0M
MOULDED DEPTH	4.30M
DESIGN DRAUGHT	3.775M
CLASS NOTATION	ABS-YAN BARGE
DECK LOAD	15 TONNES PER SQUARE METRE
DEADWEIGHT	4464 TONNES

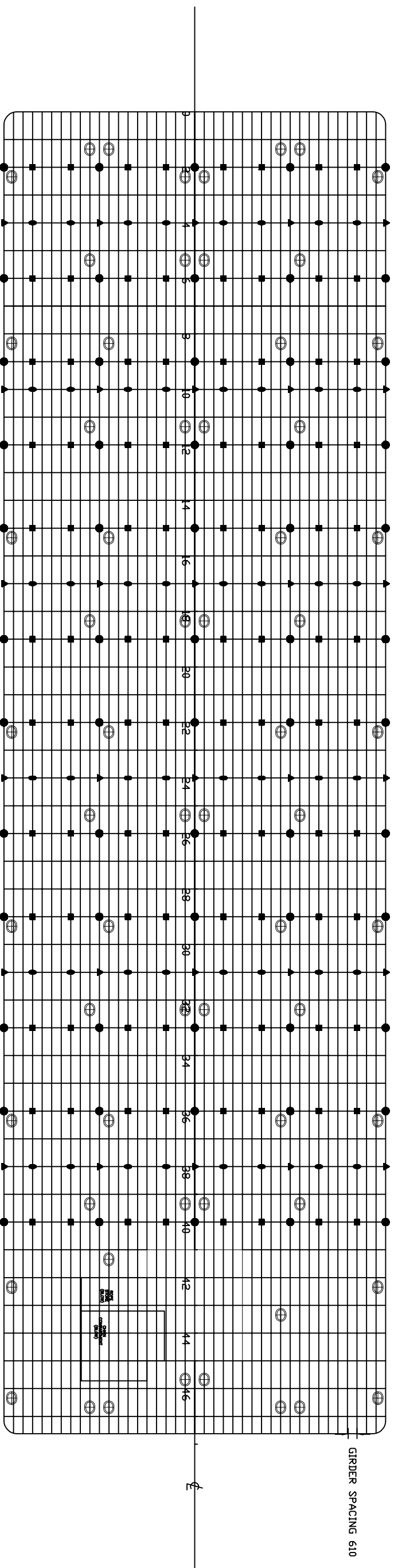


PROFILE ON STARBOARD SIZE

FRAME SPACING 1600



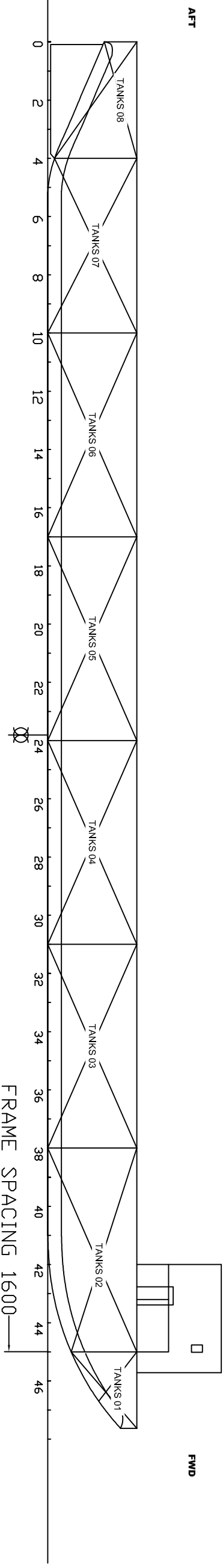
PLAN ON DECK AND BULKHEADS BELOW



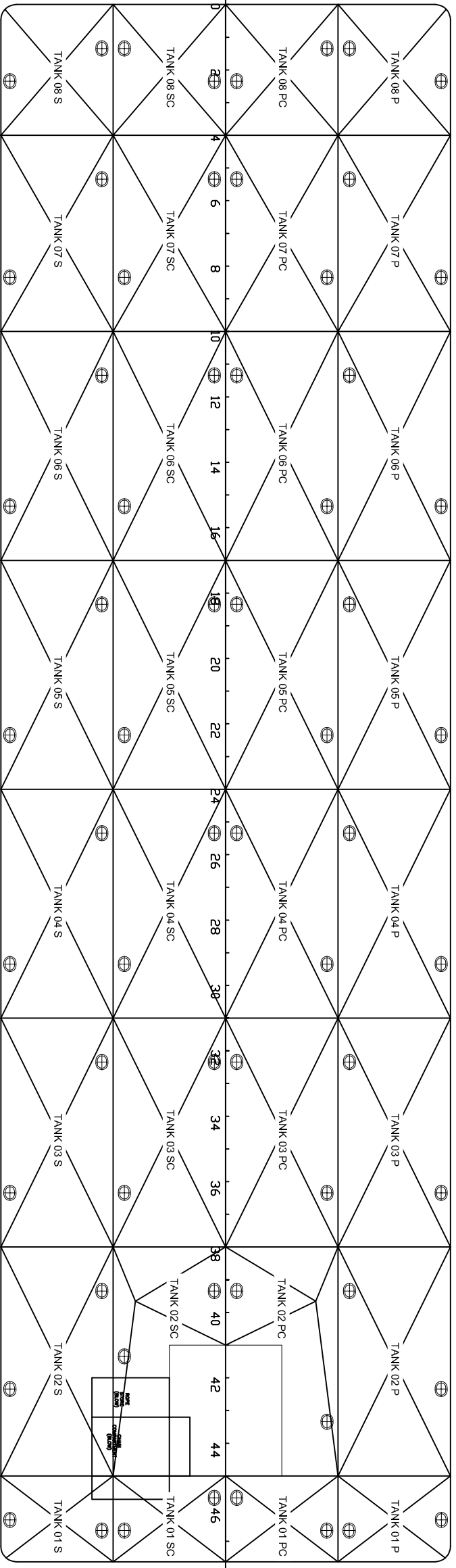
DECK FRAMING AND LOAD POINTS

NOTE: POINT LOAD CAPACITY AT CROSSING POINTS:

- LONGITUDINAL BULKHEADS/SIDE SHELL AND TRANSVERSE FRAMES: 150 TONNES
- MIDDLE OF TRANSVERSE FRAMES: 100 TONNES
- ▲ LONGITUDINAL BULKHEADS/SIDE SHELL AND TRANSVERSE BULKHEADS: 200 TONNES
- MIDDLE OF TRANSVERSE BULKHEADS: 180 TONNES



TYPICAL PROFILE LOOKING TO PORT



PLAN BELOW MAIN DECK

WATER BALLAST TANKS : S.G. 1.025

COMPARTMENT	CAPACITY 98% ltr m ³	V.C.G. m	L.C.G. m	FS Moment (tonne-m)	COMPARTMENT	CAPACITY 98% ltr m ³	V.C.G. m	L.C.G. m	FS Moment (tonne-m)
TANK 01 P	52.46	3.579	73.693	58.78	TANK 05 P	288.31	2.422	32.800	156.76
TANK 01 PC	53.80	3.560	73.701	58.79	TANK 05 PC	291.37	2.401	32.800	156.79
TANK 01 SC	53.60	3.580	73.701	58.79	TANK 05 SC	291.37	2.401	32.800	156.79
TANK 01 S	52.46	3.579	73.693	58.78	TANK 05 S	288.31	2.422	32.800	156.76
TANK 02 P	274.40	2.530	66.187	156.77	TANK 06 P	288.32	2.422	21.600	156.77
TANK 02 PC	201.19	2.474	65.382	98.56	TANK 06 PC	291.38	2.401	21.600	156.79
TANK 02 SC	201.19	2.474	65.382	98.56	TANK 06 SC	291.38	2.401	21.600	156.79
TANK 02 S	274.40	2.530	66.187	156.77	TANK 06 S	288.32	2.422	21.600	156.77
TANK 03 P	288.31	2.425	55.200	156.76	TANK 07 P	245.55	2.437	11.228	134.37
TANK 03 PC	291.37	2.401	55.200	156.79	TANK 07 PC	248.18	2.416	11.227	134.39
TANK 03 SC	291.37	2.401	55.200	156.79	TANK 07 SC	248.18	2.416	11.227	134.39
TANK 03 S	288.31	2.425	55.200	156.76	TANK 07 S	245.55	2.437	11.228	134.37
TANK 04 P	288.32	2.425	44.000	156.76	TANK 08 P	105.96	3.208	3.676	89.58
TANK 04 PC	291.38	2.401	44.000	156.79	TANK 08 PC	107.70	3.190	3.669	89.59
TANK 04 SC	291.38	2.401	44.000	156.79	TANK 08 SC	107.70	3.190	3.669	89.59
TANK 04 S	288.32	2.425	44.000	156.79	TANK 08 S	105.96	3.208	3.676	89.58
TOTAL W.B.	7215.57	-	-	4150.08					

