



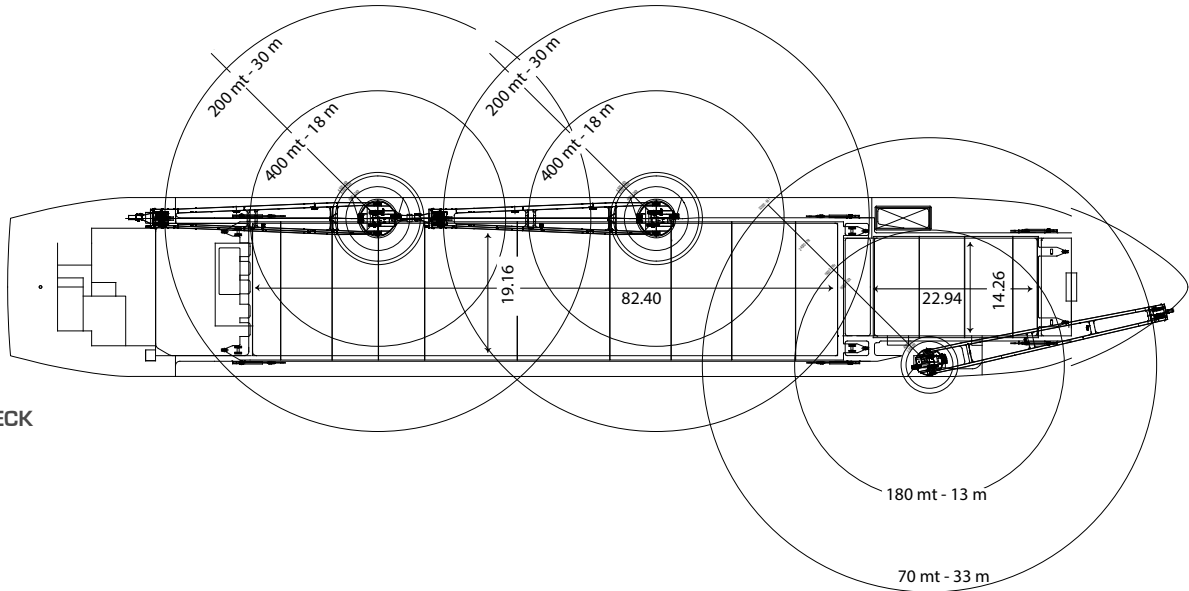
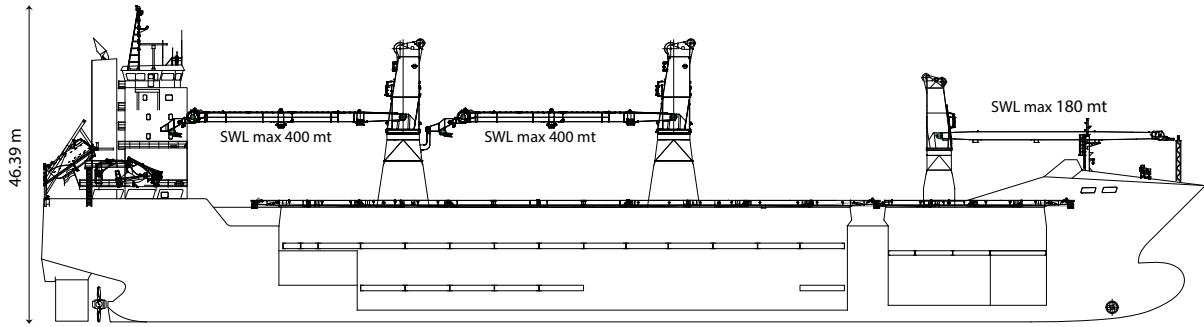
P8 - TYPE

CLASS			
Classification	DNV GL ✕ 100 A5 Strengthened for heavy cargoes		
Ice-Class	E3		
PRINCIPAL DIMENSIONS			
Length over all	168,68	m	
Breadth extreme	25,43	m	
Height Hold 1	14,20	m	
Height Hold 2	14,90	m	
Summer draft	9,50	m	
GT	Abt. 17.634		
NT	Abt. 6.617		
DEADWEIGHT Summer	20.100	mt excl. TWD	
CAPACITY			
Grain - bale	929.696	cbft/26.337 m ³	
FLOOR SPACE			
Tank top	Hold 1 281	m ² /hold 2 1.332 m ²	
Tween deck	Hold 1 281	m ² /hold 2 1.458 m ²	
Weather deck	2.693	m ²	
AIR CHANGES (basis empty holds)			
	Abt. 6 x	p/h	
CONTAINER INTAKE			
Total	912	TEU	
HATCHES			
Weather deck	No.1: 22,94 x 14,26	m	
	No.2: 82,40 x 19,16	m	
	hydraulic folding type, combinable w/ pontoons		
Tween deck	No.1: 22,94 x 13,76	m	
	No.2: 82,40 x 18,66	m	
	Heights: Tween deck	Hold 1 2 different heights Hold 2 4 different heights	
MAXIMUM LOAD			
Weather deck hatch covers	5,00	t/m ²	
Tweendeck hatch covers	3,50	t/m ²	
Tank top	18,00	t/m ²	
DECK CRANES			
Position	2 x 400 mt SWL situated on port side Combinable 800 mt SWL 180 mt SWL situated on starboard side		
Tons/reach	2 x 400 mt SWL / 18 m 2 x 325 mt SWL / 22 m 2 x 200 mt SWL / 30 m 1 x 180 mt SWL / 13 m		
BOWTHRUSTER	1 x 800 kW		

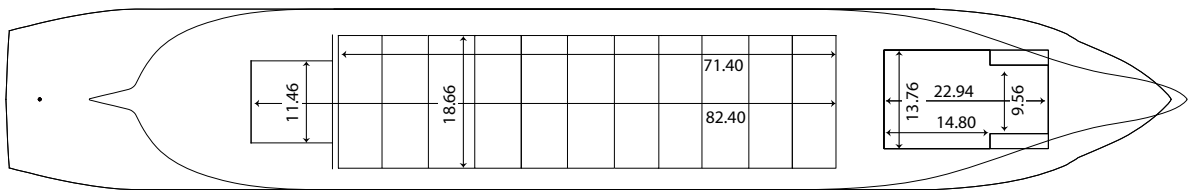


2011 Prinsengracht
2012 Pietersgracht

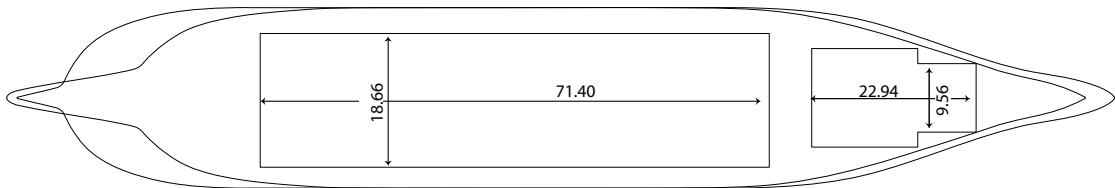
P8 - TYPE



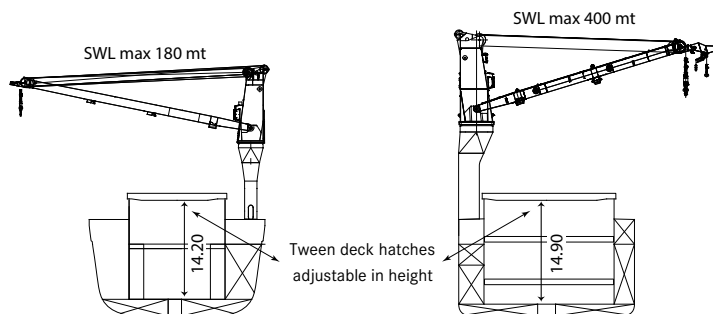
WEATHER DECK



TWEEN DECK



TANK TOP



CROSS SECTION



SAFE
SAILINGS